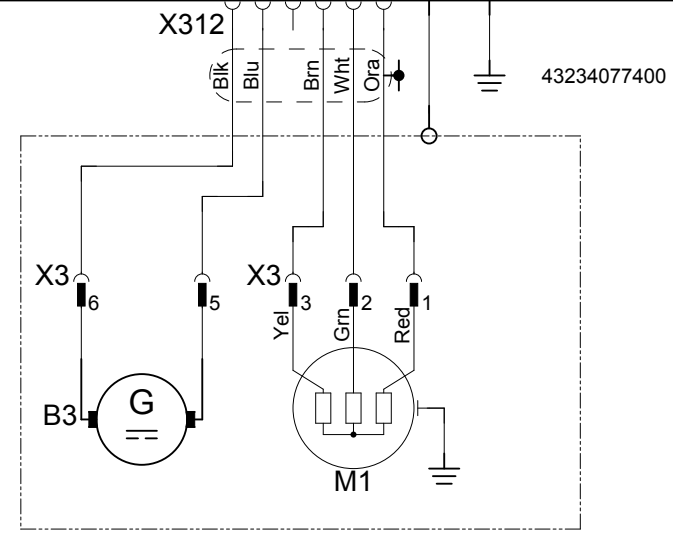
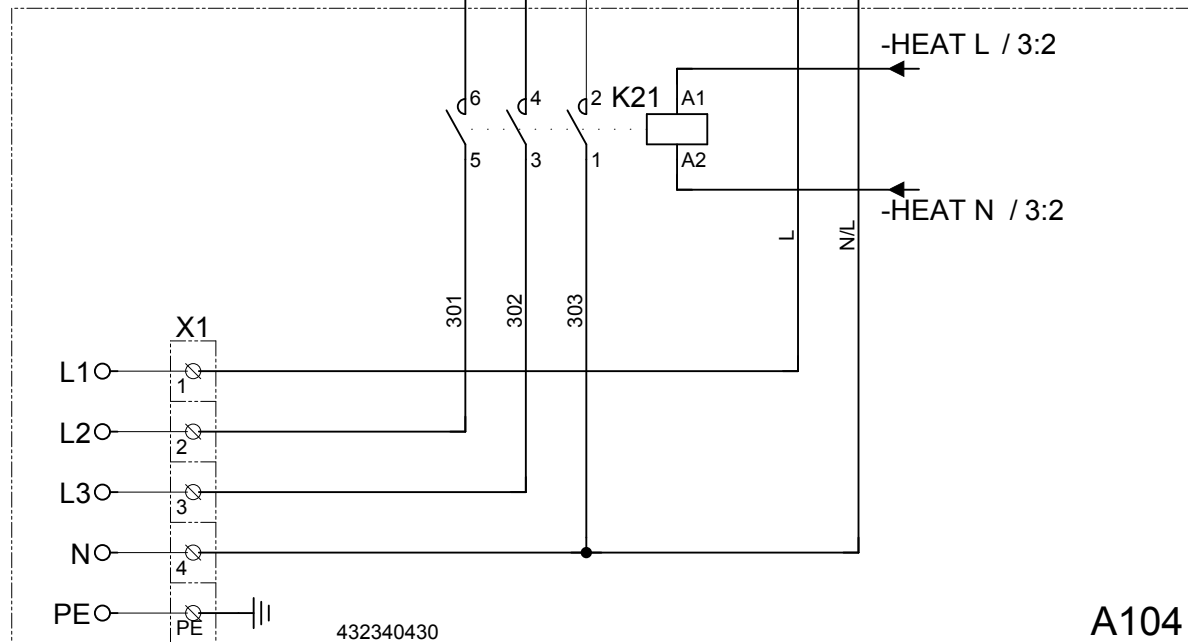
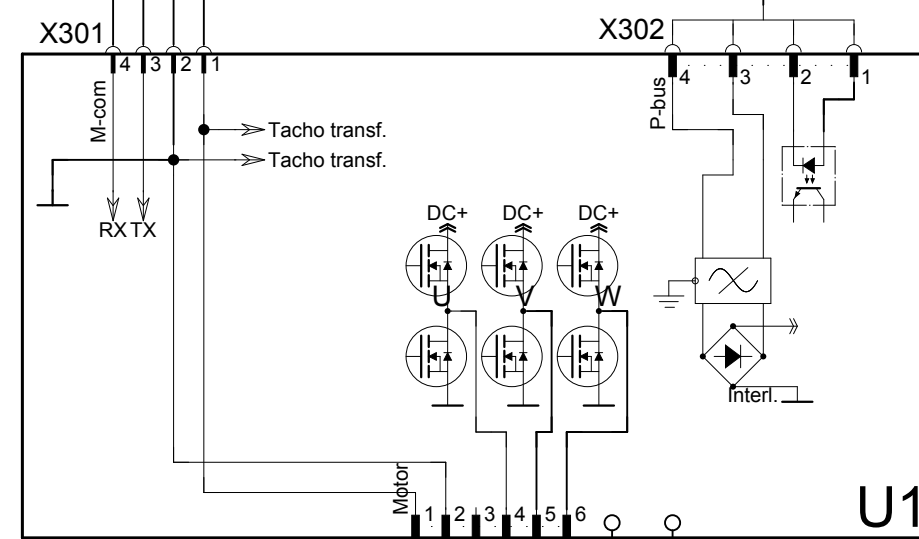
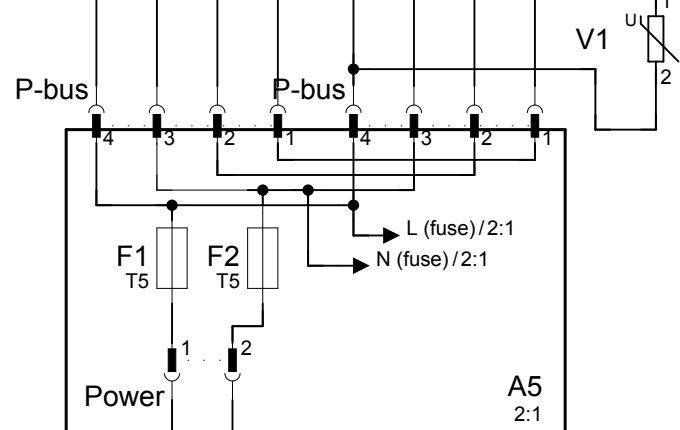
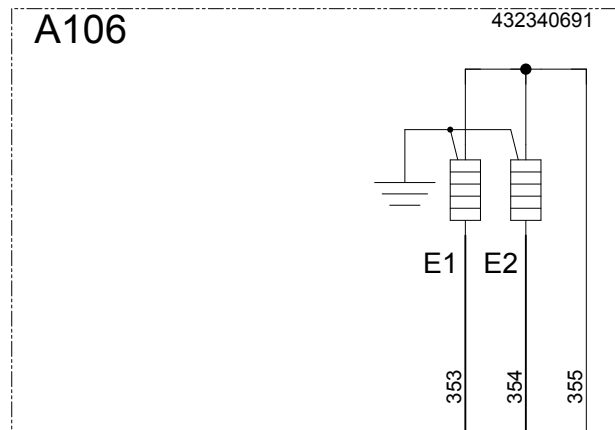
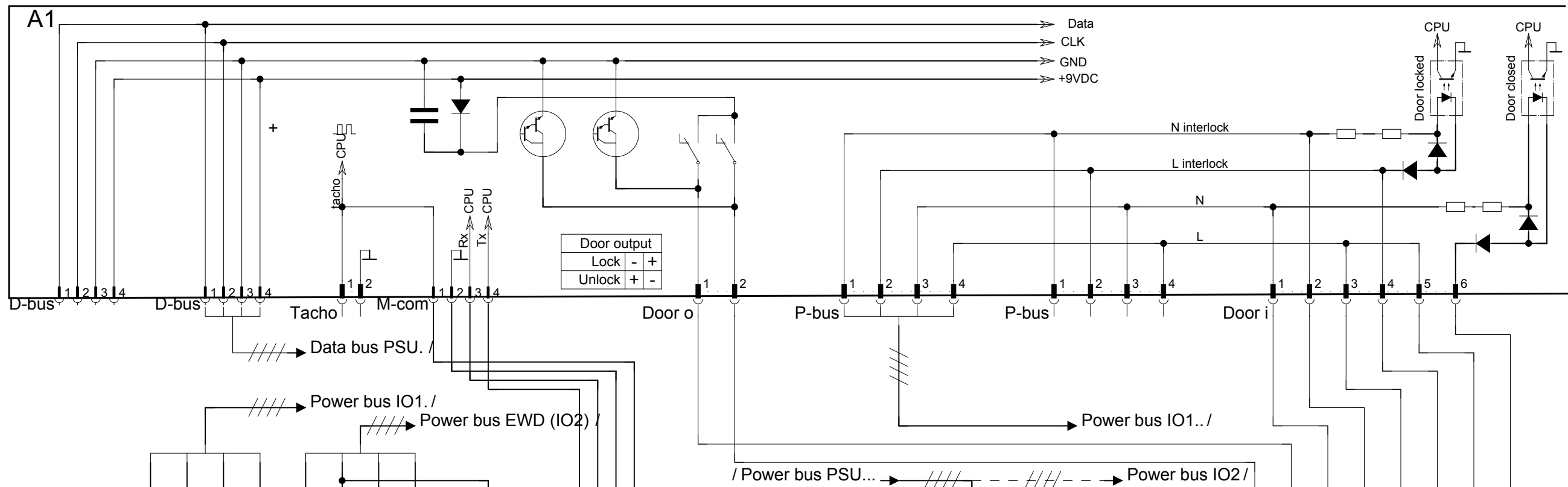
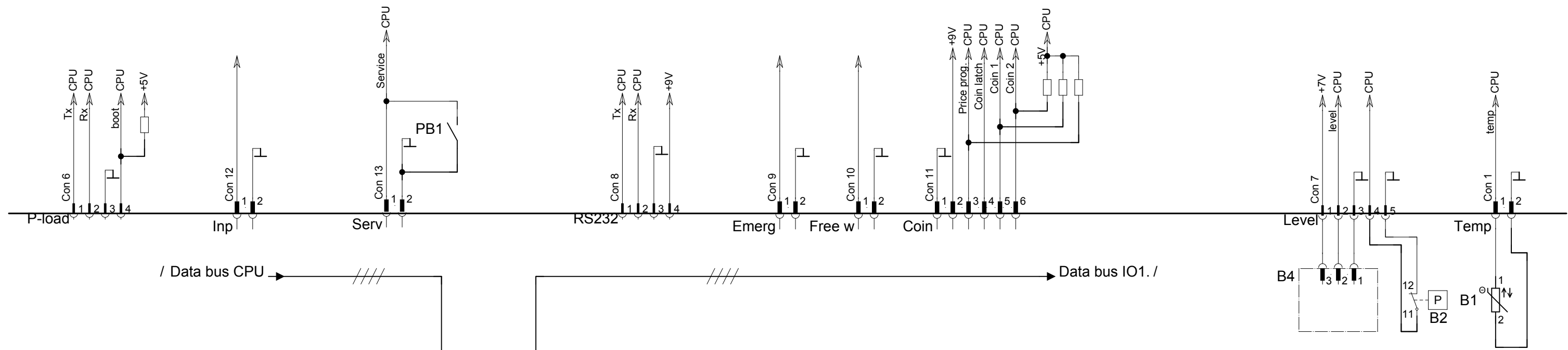


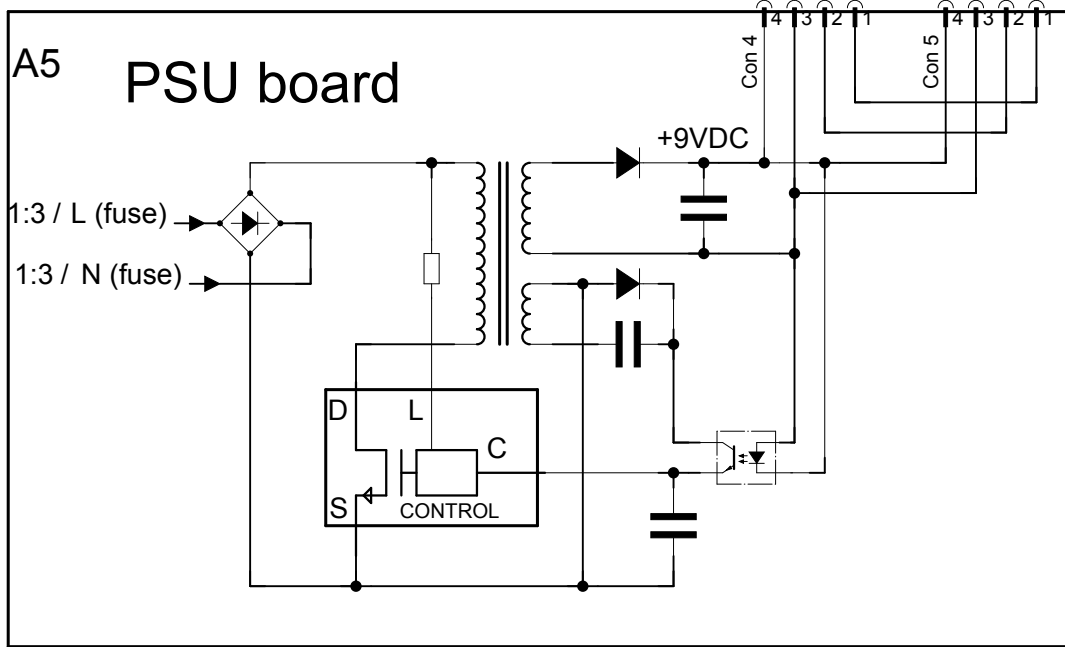
Power bus (P-bus)	
N interlock	1
L interlock	2
N	3
L	4

Data bus (D-bus)	
Data	1
CLK	2
GND	3
+9VDC	4

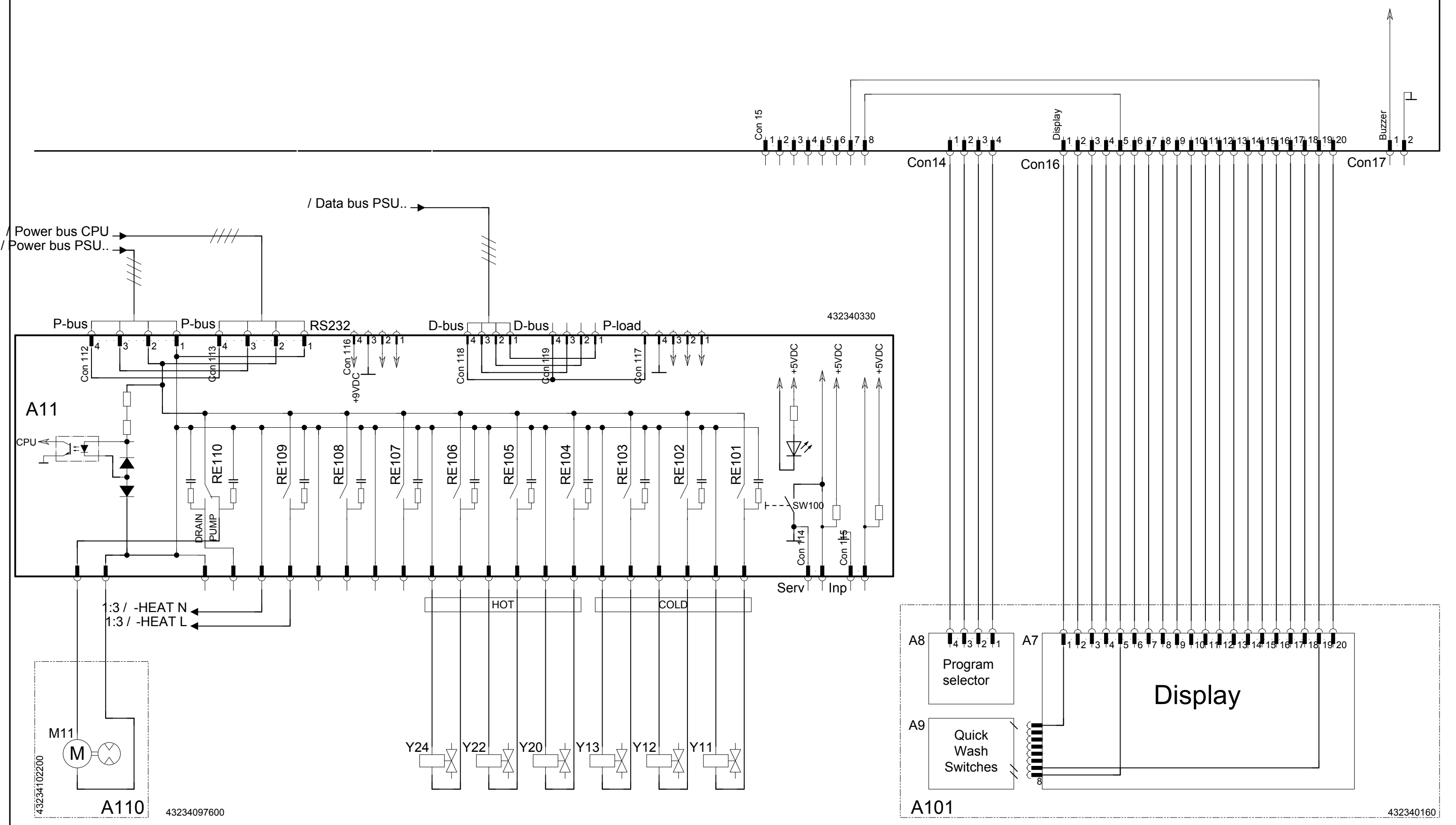




/ Data bus CPU Data bus IO1. /



A1



Date 05/28/09
 User LY9CHG
 Format A4

Electrolux Laundry Systems Electric Documentation

SE-341 80 LJUNGBY SWEDEN

Rear view

